

INLINE® SFP+ MODULE

fiber optic 1310nm singlemode with LC sockets, 10km, 10Gb/s



- High-performance SFP+ transceiver module for fast 10 Gigabit data connections over up to 10 km
- Compliant with IEEE 802.3ae, SFP MSA and SFF-8431 for smooth integration
- Single-mode LC duplex interface with 1310nm DFB laser for stable transmissions
- Digital diagnostic monitoring (DDM) function for real-time performance analysis
- Hot-pluggable for easy installation and quick replacement

The InLine® SFP+ module is a reliable and powerful solution for professional network environments. With a data rate of up to 10.3 Gb/s and a range of 10 kilometers over single-mode fiber, it is ideal for enterprise networks, data centers and backbone connections.

The module is fully compatible with the IEEE 802.3ae, SFP MSA and SFF-8431 industry standards and can be seamlessly integrated into existing network infrastructures. The LC duplex interface and 1310nm DFB laser technology ensure efficient and reliable signal transmission. Thanks to the integrated digital diagnostic monitoring (DDM), the module performance can be monitored in real time to ensure optimal network security and maintenance.

With an operating voltage of +3.3 V and a hot-pluggable design, the module can be easily installed and replaced without interrupting ongoing operations. Thanks to the extended temperature range of 0 °C to 70 °C, it is ideal for demanding network environments.

Technical specifications:

- Wavelength: 1310nm
- Extinction ratio ER: ≥ 3.5 dB
- Sensitivity of the receiver: ≤ 14.4 dBm
- I2C interface with digital diagnostics & monitoring
- Electrical interface according to SFF-8431
- Pin definitions: 1–10 in the BEZEL direction, 11–20 in the ASIC direction
- Storage temperature: -40 °C to 85 °C

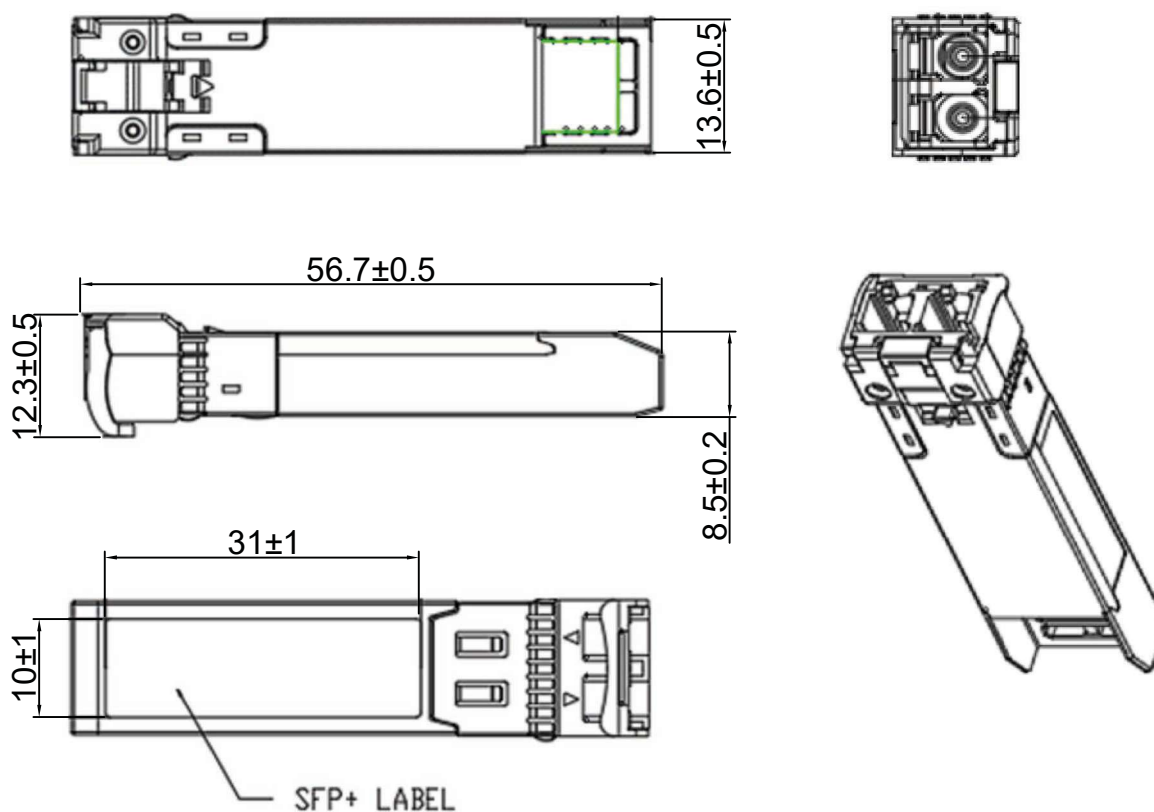
Technical Data

Article height:	1.6 cm
Article length:	6.1 cm
Article width:	1.4 cm
Coding:	Intel
Max. distance:	10 m
Number of ports:	1
Transmission speed:	10 Gb/s
Type:	SFP+ module
Variant:	Single-Mode

Item No.	Max. distance	EAN
32335Q	10 km	4043718334902



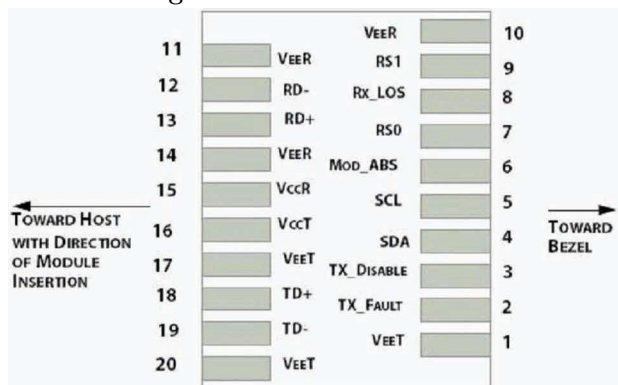
Our SFP modules are factory-coded – whether for Cisco, Intel or other systems, which may limit your choice. **For maximum compatibility, we now programme individually according to customer requirements.**



Note:

- Supports rate from 1.25 Gb/ to 11.3 Gb/s bit rates
- Optical interface compliant to IEEE 802.3ae
- Electrical interface compliant to SFF-8431
- Hot Pluggable
- 1310nm DFB transmitter, PIN photo-detector
- Low power consumption
- Applicable for 10km SMF connection
- All-metal housing for superior EMI performance
- Advanced firmware allow customer system encryption information to be stored in transceiver
- Cost effective SFP+ solution, enables higher port densities and greater bandwidth
- RoHS 2011/65/EU and amendment directives (EU) 2015/863 compliant;
- REACH 1907/2006/EC compliant
- Operating case temperature: 0°C ~70°C
- Storage Temperature: -40°C ~85°C

Pin assignment:



Compatibility:

Brand	Equipment	Model
Intel	N/A	I210 chipset
Intel	N/A	JL82599EN

If you have any further questions, please contact marketing@inline-info.com

www.inline-info.com/en/

Disclaimer

InLine® is a brand of INTOS ELECTRONIC AG | Siemensstraße 11 | D-35394 Gießen

Documentation © 2026 INTOS ELECTRONIC AG

All rights reserved. No part of this document may be reproduced in any form or by any means, electronic, mechanical or chemical, without the prior written permission of the publisher. It is possible that this document may still contain typographical faults or misprints.

However, the information in this document will be checked regularly and corrections will be made in the next edition. We accept no liability for errors of a technical or printing nature and their consequences. All trademarks and industrial property rights are acknowledged. Changes in the sense of technical progress can be made without prior notice. Our products, including packaging, are not toys, they may contain small parts and sharp objects.

Please keep away from children.